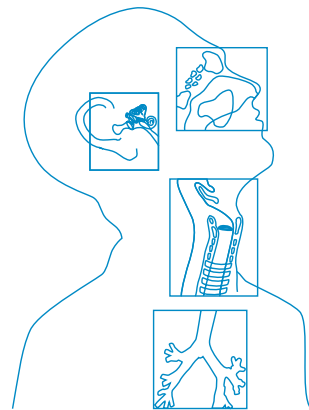




a bess group company

Instruments and Accessories for Bronchoscopy





IFU e-labelling

The instructions for use for some of our products are available only in electronic form (in pdf format) on our website. Please see the product label for the required access information.

Content

Instruments for Bronchoscopy

DUTAU® NOVATECH® Rigid Bronchoscope	4
ROTEPS® Bronchoscopy Forceps	6
TONN™ NOVATECH® Stent Applicator	8
DUTAU® Forceps	10

Accessories for Bronchoscopy

SURVAC™ Suction Catheters	11
bess® ZS Dental Protection	11

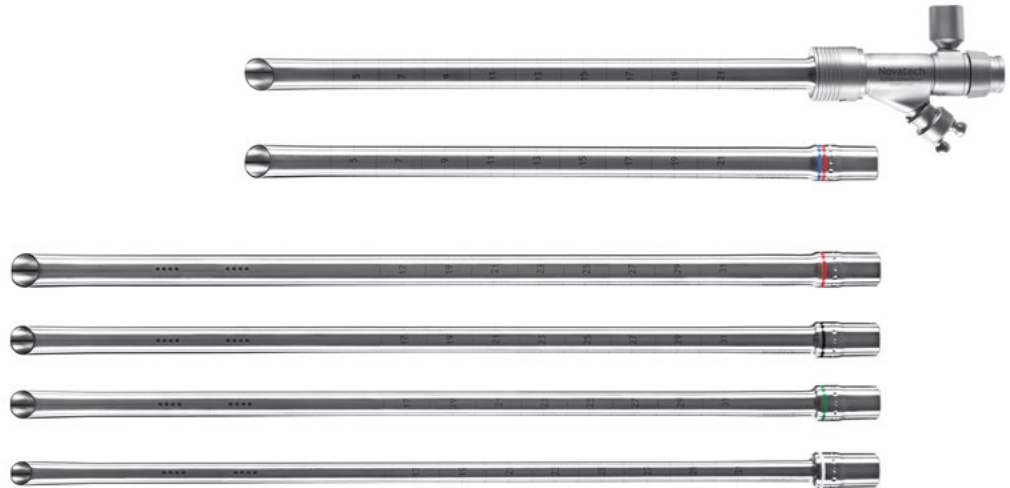
NOVATECH®, DUTAU® and ROTEPS® are registered trademarks of Novatech SA in the USA, Europe, and other countries.

bess® is a registered trademark of bess medizintechnik gmbh in the USA, Europe, and other countries.

TONN™ and SURVAC™ are trademarks of Novatech SA.

DUTAU® NOVATECH® Rigid Bronchoscope

The modular DUTAU® NOVATECH® Rigid Bronchoscope is designed for use in interventional bronchoscopy. It combines innovative features for easier handling and a wide compatibility with essential bronchoscopy instruments.



*The short tracheoscope tube (size 14) can be used for intubation.
Smaller bronchoscope tubes (size 12 and smaller) can be inserted through the tracheoscope without the need for re-intubation.*

Features

System

- Modular system of universal head and interchangeable tubes
- Compatible with TONN™ NOVATECH® Stent Applicator System for easy placement of silicone stents (DUMON® and NOVATECH® GSS™)
- Compatible with KARL STORZ rigid bronchoscopy instruments (e.g. optical forceps)
- Good inner/outer diameter ratio for optimized gas exchange
- Fully dismountable to facilitate state-of-the-art reprocessing

Head

- Snap-fit connector for fast and easy attachment of tubes
- Tubes can be attached comfortably in various rotation positions.
- Rotatable ventilation element for less tangling of tubes
- Lateral Double Port, e.g. for laser and suction tubes
- Injection Cannula (for jet ventilation)
- Short head length for optimized total operating length

Tubes

- Tubes have an ISO cone connector for direct attachment of anesthesia tube.
- Scale on the tubes: one side even, other side uneven to facilitate measuring of stenoses
- A mark inside the tube tip helps to identify the long end of the tube (after rotation).



The proximal end of all tubes fits the ventilation element directly (ISO connector).



Instruments for Bronchoscopy

DUTAU® NOVATECH® Rigid Bronchoscope



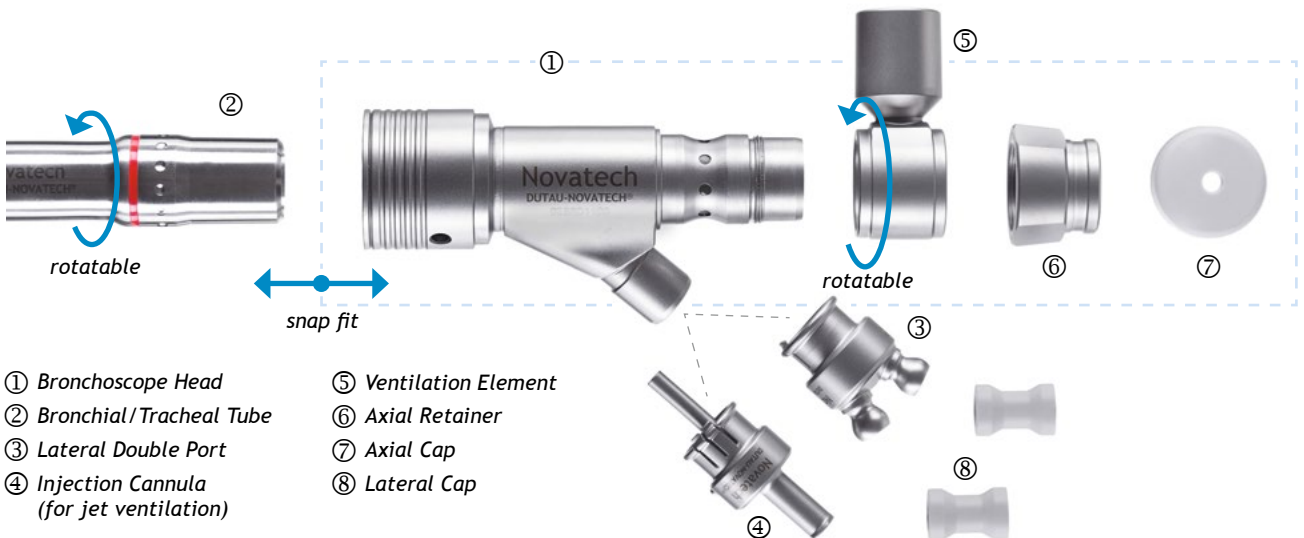
A mark inside the tube tip helps to identify the long end of the tube (after rotation).



Scale on the tubes: one side even, other side uneven to facilitate measuring of stenoses.



Bronchoscope tube sizes range from sizes 9 to 14. Tubes are color coded and sizes are clearly marked. An additional blue ring indicates a short tube length (tracheoscope).

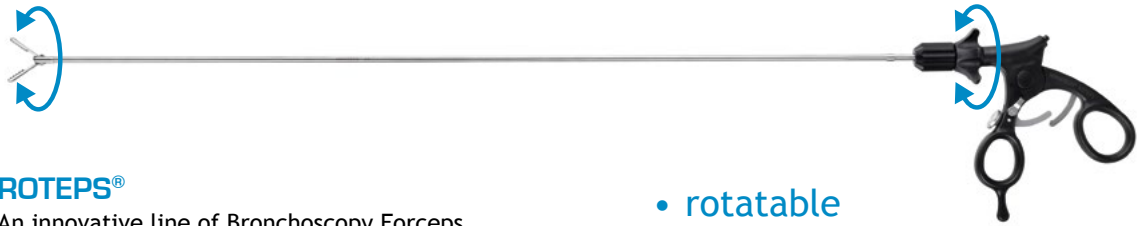


- ① Bronchoscope Head
- ② Bronchial/Tracheal Tube
- ③ Lateral Double Port
- ④ Injection Cannula (for jet ventilation)
- ⑤ Ventilation Element
- ⑥ Axial Retainer
- ⑦ Axial Cap
- ⑧ Lateral Cap

REF	Description	Color Code	ID/OD (mm)	Working Length (cm)
02BRD1100	Bronchoscope Head, including • 1 Ventilation Element (including 2 O-Rings ID 16 x 1.25) • 1 Axial Retainer (including 1 O-Ring ID 15 x 1.5) • 1 Axial Cap			
02BRD2514	Tracheal Tube, size 14	blue/red	13 / 14	25
02BRD3514	Bronchial Tube, size 14	red	13 / 14	35
02BRD3512	Bronchial Tube, size 12	black	10.7 / 12	35
02BRD3511	Bronchial Tube, size 11	green	10.5 / 11.2	35
02BRD3509	Bronchial Tube, size 9	white	8.5 / 9.2	35
02BRD1120	Lateral Double Port (including 2 Lateral Caps)			
02BRD1110	Injection Cannula (for jet ventilation)			
02BRDSET	Bronchoscope Set, consisting of • 1 Bronchoscope Head • 5 Tracheal/Bronchial Tubes • 1 Lateral Double Port (including 2 Lateral Caps) • 1 Injection Cannula			

Spare parts, available separately	
02BRD9901	O-Ring ID 16 x 1.25
02BRD9902	O-Ring ID 15 x 1.5
Caps are available either without or with openings in various diameters. Please contact us for a complete list.	

Instruments for Bronchoscopy



ROTEPS®

An innovative line of Bronchoscopy Forceps, rotatable for ease of use and fully dismountable for efficient cleaning.

- rotatable
- dismountable
- combinable

A modular System

Two types of handles can be combined with two shafts (2 mm and 4 mm) and seven forceps heads.

Configure your ROTEPS® on www.novatech.fr/roteps

ROTEPS® HANDLE

available without ratchet and with shiftable ratchet.

REF	Handle	for shaft	Color code
02BRT10200	without ratchet	Ø 2 mm	grey
02BRT10202	with shiftable ratchet		
02BRT10400	without ratchet	Ø 4 mm	black
02BRT10402	with shiftable ratchet		



02BRT10400



02BRT10402



02BRT10200



02BRT10202

ROTEPS® SHAFT

Ø 2 mm and Ø 4 mm



Size 2



Size 4

REF	Shaft	L	Color code
02BRT20260	Ø 2 mm	60 cm	grey
02BRT20460	Ø 4 mm	60 cm	black

ROTEPS® HEAD

REF	Head	for shaft
02BRT30299	Grasping forceps, strong teeth head Ø 3 mm, L 60 cm	Ø 2 mm
02BRT30296	Hook scissors head Ø 3 mm, L 60 cm	
02BRT30295	Fenestrated forceps head Ø 3 mm, L 60 cm	
02BRT30294	Retraction forceps, atraumatic teeth, one side opening head Ø 3 mm, L 60 cm	
02BRT30499	Grasping forceps, strong teeth head Ø 5 mm, L 60 cm	Ø 4 mm
02BRT30498	Y-Stent forceps head Ø 5 mm, L 60 cm	
02BRT30497	Retraction forceps, atraumatic inner teeth head Ø 5 mm, L 60 cm	



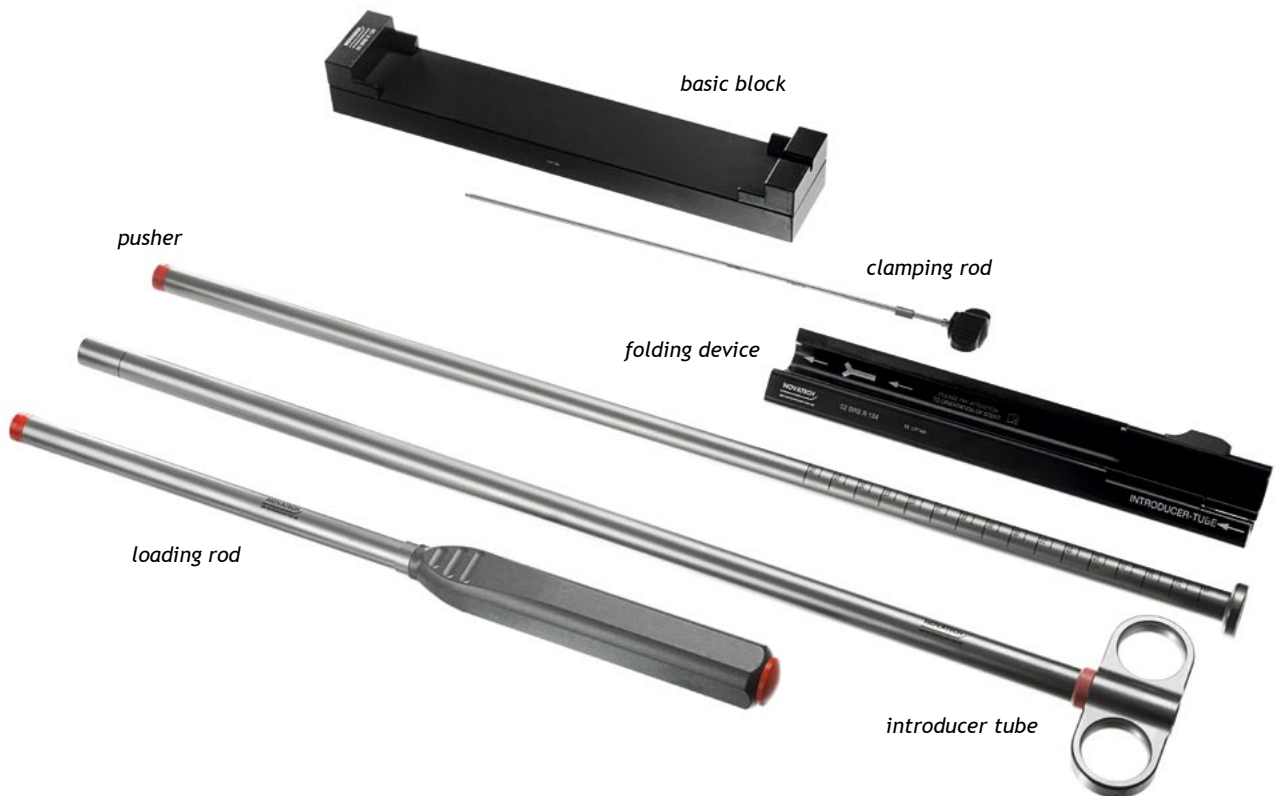
ROTEPS® CLEANSE

REF	
02BRT40010	Cleaning Adapter for ROTEPS® SHAFT with Luer Lock Adapter incl. O-Ring
02BRT40040	O-Ring (Replacement part) for 02BRT40010



02BRT40010

TONN™ NOVATECH® Tracheal and Bronchial Stent Applicator



Developed by Dr. Tonn (Hanover, Germany), the TONN™ NOVATECH® tracheal and bronchial Stent Applicator facilitates the placement of Novatech's tracheobronchial stents NOVATECH® GSS™ and DUMON® through a rigid bronchoscope.

Easy to handle, the TONN™ NOVATECH® Stent Applicator is available in four sizes (**BLUE**, **RED**, **GREEN** and **WHITE**) allowing the insertion of silicone stents in a wide range of sizes: Stents with an outer diameter of up to 20 mm and a length of up to 160 mm (Y-Stents) can be placed.

Furthermore Y-Stent insertion is facilitated. The correct position of the branches for the left and the right bronchus is determined before insertion, minimising the risk of misplacement and stent damage.

Instruments for Bronchoscopy

TONN™ NOVATECH® Tracheal and Bronchial Stent Applicator

Color	Introducer tube working length (cm)	Introducer tube OD (mm)	REF
BLUE	32	12.75	02 BRS B 120
RED	42	12.75	02 BRS R 130
GREEN	42	10.25	02 BRS G 140
WHITE	42	8.2	02 BRS W 150

Individual components available as spare parts. Please contact us for a quotation.

Which applicator (BLUE, RED, GREEN, WHITE) is used for which NOVATECH® GSS™/DUMON® stent?
all indications in mm

TD Length

∅	20	30	40	50	60	70	80	90	100	110
11	✓	✓	✓	✓	✓	✓	✓			
12	✓	✓	✓	✓	✓	✓	✓			
13		✓	✓	✓	✓	✓	✓	✓		
14		✓	✓	✓	✓	✓	✓	✓		
15	✓	✓	✓	✓	✓	✓	✓	✓	✓	✓
16	✓	✓	✓	✓	✓	✓	✓	✓	✓	✓
18		✓	✓	✓						

TF Length

∅	30	40	50	60	70	80	90	100	110
12	✓	✓	✓	✓	✓	✓			
13	✓	✓	✓	✓	✓	✓			
14	✓	✓	✓	✓	✓	✓			
16		✓	✓	✓	✓	✓	✓	✓	
18		✓	✓	✓	✓	✓	✓	✓	✓
20		✓	✓	✓	✓	✓	✓	✓	✓

BD Length

∅	20	30	40	50	60	70	80
9	✓	✓	✓	✓	✓	✓	
10	✓	✓	✓	✓	✓	✓	
11	✓	✓	✓	✓	✓		
12	✓	✓	✓	✓	✓	✓	

BB Length

∅	20	30	40	50	60
10	✓	✓	✓	✓	✓
11	✓	✓	✓	✓	✓
12	✓	✓	✓	✓	✓

ST/DST

12	✓
14	✓
15	✓
16	✓
18	✓

CB Length

∅	20	30	40	50	60
9	✓	✓	✓	✓	
10	✓	✓	✓	✓	
11	✓	✓	✓	✓	
12	✓	✓	✓	✓	✓

OKI Length

∅	Length
13	40/17/35 ✓

Y Length

∅	110/50/50	40/30/30
14	✓	✓
15	✓	✓
16	✓	✓
17	✓	✓

NB: Stents which can be placed with the BLUE system can also be placed with the RED system.
For stents not appearing in the chart and/or for custom made stents, please contact our customer service.

DUTAU® Forceps

The DUTAU® forceps allow the physician to create a smooth fenestration in a NOVATECH® GSS™ or DUMON® silicone stent in order to adapt it to a specific situation (e.g. ventilation of the upper lobe).



REF	Description	Items per box
6522	DUTAU® forceps	1

Accessories for Bronchoscopy

SURVAC™ Suction Catheters

for bronchoscopy

SURVAC™ are atraumatically rounded single use suction catheters for bronchoscopy.

The PTFE-catheters are more flexible than the polycarbonate (PC) catheters. Due to their flexibility and their small diameter, the PTFE-catheters are adapted to suctioning more distal parts of the tracheobronchial tree.

The larger (3 × 4 mm) polycarbonate catheters are particularly suited for the axial aspiration of larger tumor parts or suctioning of large quantities in emergency cases.



REF	Description	Diameter (mm)		Working length (cm)	Connector	Items per box
		ID	OD			
77622	SURVAC™ PTFE	2.0	3.0	60	female, PVC	50
77632	SURVAC™ PC	2.0	2.7	60		
77642	SURVAC™ PC	3.0	4.0	60		
77642SC	SURVAC™ PC	3.0	4.0	30		

bess® ZS Dental Protection

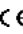
bess® ZS Dental Protection protects the teeth against excessive instrument pressure.

Features

- anatomic design offering the dental arch maximum protection against excessive instrument pressure
- made of medical grade silicone
- multiple use product (comes unsterile)
- highly resistant to heat
- sterilisation by gas, plasma or steam (134°C)
- can be sterilised together with instruments on the instrument tray and will thus be directly available as part of the tray



REF	Description	Items per box
BM 80 1001	bess® ZS Dental Protection	10

The products in this catalog are -marked.

Novatech SA – La Ciotat, France



except for bess® ZS dental protection,
manufactured by bess pro gmbh, Germany



Please note that only the instructions for use enclosed with the
respective product apply. Details in this catalog about the use of
products serve as a guide only and reflect the information available
at the time of print. If necessary, please request a current version!



The instructions for use for some of our products are available only
in electronic form (in pdf format) on our website.
Please see the product label for the required access information.

Your local contact:



Novatech
new biotechnology for life

a bess group company

Novatech SA

capital stock: 160.000 € • 398 941 260 RCS Marseilles
TVA CEE FR59398941260 • certified according to EN ISO 13485
Jurisdictional venue / seat of the company:
Z.I. Athélia III – 1058, Voie Antiope
F-13705 LA CIOTAT CEDEX, FRANCE
Tel. +33 (0) 442 98 15 60 • Fax +33 (0) 442 98 15 63
info@novatech.fr • www.novatech.fr